

Product Features

Eco-friendly refrigerant
Refrigerant R407C use
※SAC-6500 uses R410A

No assembly required

Overheat Shut-Off Protection System

Oscillation Function
The duct oscillates.



Model:
N407-TC(TL),SAC-4500(TL)

Heat exhaust duct

Exhausted heat is effectively expelled through the top by a powerful motor.



Stretch up to 450mm

Model:
N407-TC(TL),SAC-4500(TL)

Control Panel Cover

The cover prevents dust from entering.

Model:
N407-TC(TL),SAC-4500(TL)



Single Phase

※Picture:N407-TC(TL)

Single Phase

※Picture:SAC-4500(TL)



Flexible duct

Adjust the duct angle to a desired spot.

Model:
SAC-1800(TL),SAC-407N(TL),
N407-TC(TL),SAC-4500(TL),
SAC-6500(TL)



Compact drain tank

Draining water is simple.

Model:
SAC-1800(TL),N407-TC(TL),
SAC-4500(TL)



Front intake design allows convenient placement near a wall.

Model:
N407-TC(TL),
SAC-4500(TL)



▼ Portable air conditioner is ideal for industrial cooling in factory,golf range, car repair shop,store and more.



factory

golf range

car repair shop

store



Movin SPOT COOLER CATALOG



Manufacture :
NAKATOMI CO.,LTD.
6445-2,Takai,Takayama,Kamitakai,Nagano,Japan

製造元:
株式会社 ナカトミ
長野県上高井郡高山村大字高井6445-2

Model SAC-1800(TL)

Single Phase



Cooling Capacity
1.8kW



Option parts
Model FL-35 Filter
●size:W395×H355mm

Power Supply	Hertz	50
	Phase	Single
	Volts	AC220
Cooling Capacity	kW	1.8
Load Current	Amps	2.3
Refrigerant	Type	R407C
Water Storage Capacity	Liters	3
	Size	mm W475×D265×H610
	Weight	Kg 23
	Carton Size	mm W515×D300×H690
	Container Quantity	pcs 20ft: 216 / 40ft: 456

R407C Refrigerant
64~113°F (18~45°C) Operating temperature limit
Dehumidification

Portable
Overload relay
No assembly required



Model SAC-407N(TL)

Single Phase



▶ 2 Air Volume Control (high / low)

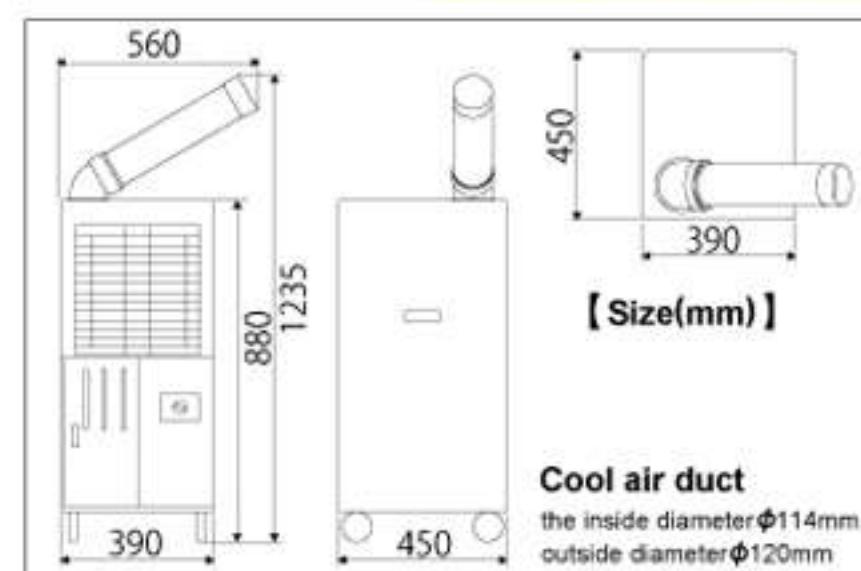
Cooling Capacity
2.5kW



Option parts
Model FL-40 Filter
●size:W315×H400mm

Power Supply	Hertz	50
	Phase	Single
	Volts	AC220
Cooling Capacity	kW	2.5
Load Current	Amps	high: 4.2 / low: 4.1
Refrigerant	Type	R407C
Water Storage Capacity	Liters	20
	Switch Type	high / low
	Size	mm W390×D450×H880
	Weight	Kg 42
	Carton Size	mm W465×D520×H1030
	Container Quantity	pcs 20ft: 96 / 40ft: 192

It is possible to drain direct by a drain hose



R407C Refrigerant
64~113°F (18~45°C) Operating temperature limit
Dehumidification

Portable
Overload relay
No assembly required

Model N407-TC(TL)

Single Phase



▶ 2 Air Volume Control (high / low)

▶ The cold air vent can oscillate up to 75 degree (for maximum comfort)

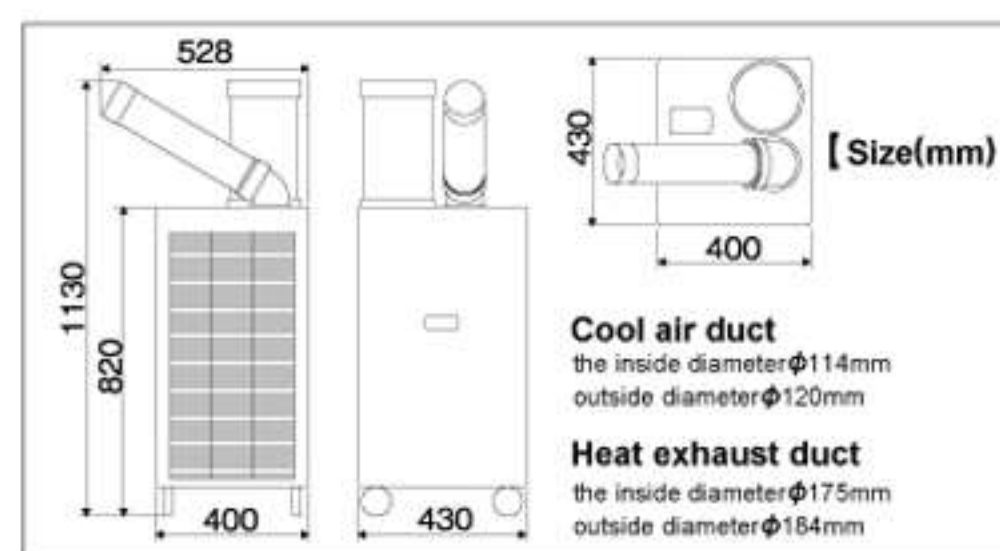
Cooling Capacity
2.5kW



Option parts
Model FL-58 Filter
●size:W320×H580mm

Power Supply	Hertz	50
	Phase	Single
	Volts	AC220
Cooling Capacity	kW	2.5
Load Current	Amps	high: 4.6 / low: 4.4
Refrigerant	Type	R407C
Water Storage Capacity	Liters	5
	Switch Type	high / low
	Size	mm W400×D430×H820
	Weight	Kg 40
	Carton Size	mm W465×D520×H1000
	Container Quantity	pcs 20ft: 96 / 40ft: 192

It is possible to drain direct by a drain hose



R407C Refrigerant
64~113°F (18~45°C) Operating temperature limit
Dehumidification

Portable
Overload relay
No assembly required

Model SAC-4500(TL)

Single Phase



▶ 2 Air Volume Control (high / low)

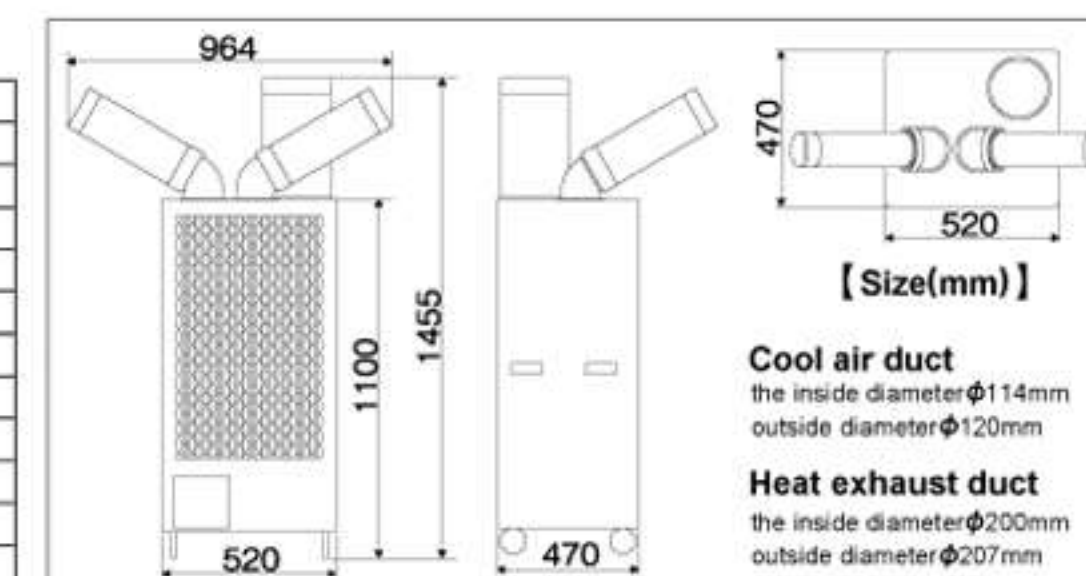
▶ The cold air vent can oscillate up to 95 degree (for maximum comfort)

Cooling Capacity
4.5kW



Option parts
Model FL-80 Filter
●size:W445×H840mm

Power Supply	Hertz	50
	Phase	Single
	Volts	AC220
Cooling Capacity	kW	4.5
Load Current	Amps	high: 10.0 / low: 9.5
Refrigerant	Type	R407C
Water Storage Capacity	Liters	9
	Switch Type	high / low
	Size	mm W520×D470×H1100
	Weight	Kg 73
	Carton Size	mm W570×D520×H1145
	Container Quantity	pcs 20ft: 40 / 40ft: 144



R407C Refrigerant
64~113°F (18~45°C) Operating temperature limit
Dehumidification

Portable
Overload relay
No assembly required

Model SAC-6500(TL)

Single Phase



▶ 2 Air Volume Control (high / low)

Cooling Capacity
6.5kW

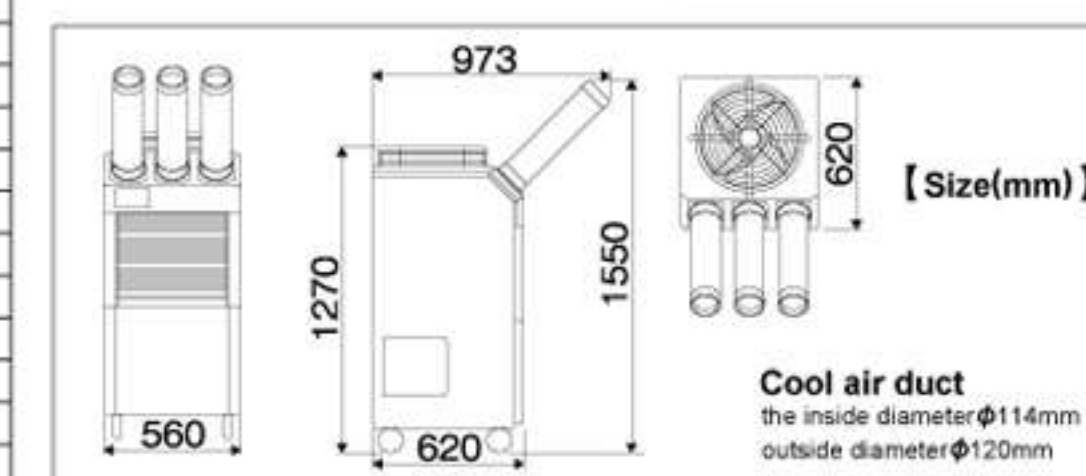
It is possible to drain direct by a drain hose

Option parts

Model FL-33 Filter(front)
●size:W460×H335mm

Model FL-54 Filter(rear)
●size:W455×H540mm

Power Supply	Hertz	50
	Phase	Single
	Volts	AC220
Cooling Capacity	kW	6.5
Load Current	Amps	high: 10.8 / low: 10.5
Refrigerant	Type	R410A
Water Storage Capacity	Liters	25
	Switch Type	high / low
	Size	mm W560×D620×H1270
	Weight	Kg 99
	Carton(wooden case) Size	mm W705×D645×H1575
	Container Quantity	pcs 20ft: 27 / 40ft: 54



R410A Refrigerant
64~113°F (18~45°C) Operating temperature limit
Dehumidification

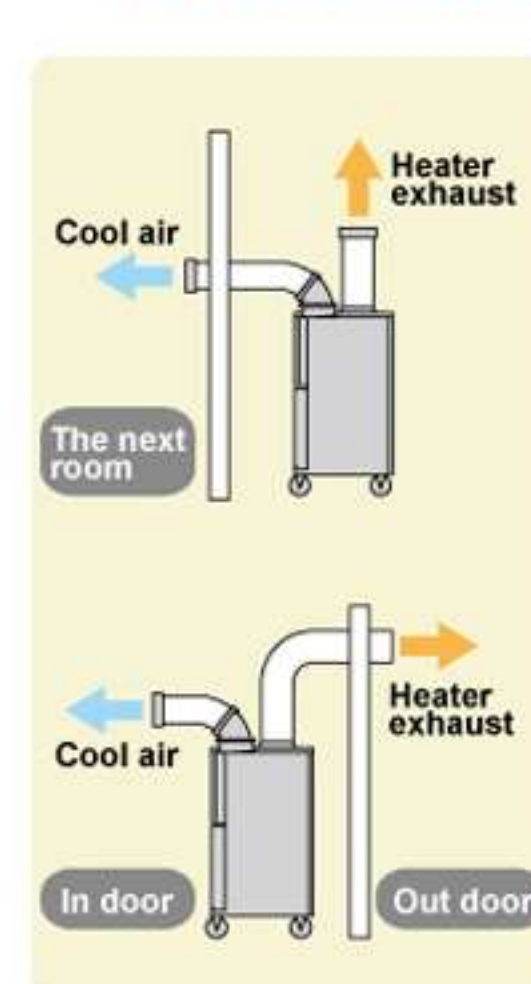
Portable
Overload relay
No assembly required

Optional parts

Cool air extension duct

Heat exhaust extension duct

▶ We prepare an extension duct for cold air of up to 3m and an extension duct for heat exhaust of up to 3m



Model ED-3C
Cool air extension duct(3m)
<For SAC-407N(TL), N407-TC(TL), SAC-4500(TL) only >



Model ED-3H
Heat exhaust extension duct(3m)
<For N407-TC(TL) only >



Model EDW-3H
Heat exhaust extension duct(3m)
<For SAC-4500(TL) only >



Model ED-3CS
Cool air extension duct(3m)
<For SAC-6500(TL) only >



Model DP-120
Duct adaptor plate
<For SAC-6500(TL) only >



Model EDS-3C
Cool air extension duct (Expansible type)
<For SAC-407N(TL), N407-TC(TL), SAC-4500(TL) only >



Model EDS-3H
Heat exhaust extension duct (Expansible type)
<For N407-TC(TL) only >

Light weight
Expansible duct(0.8~3m)